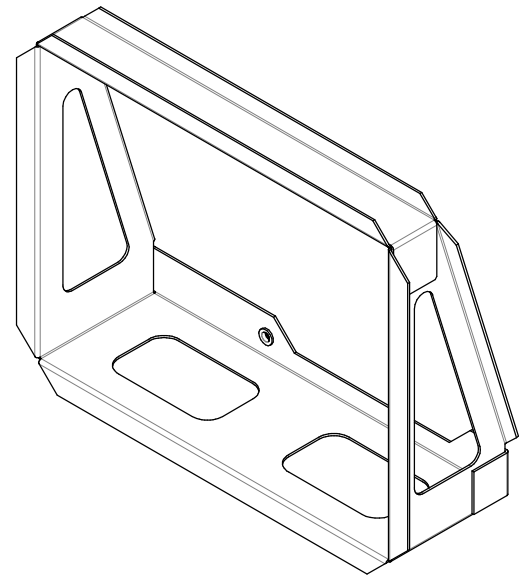
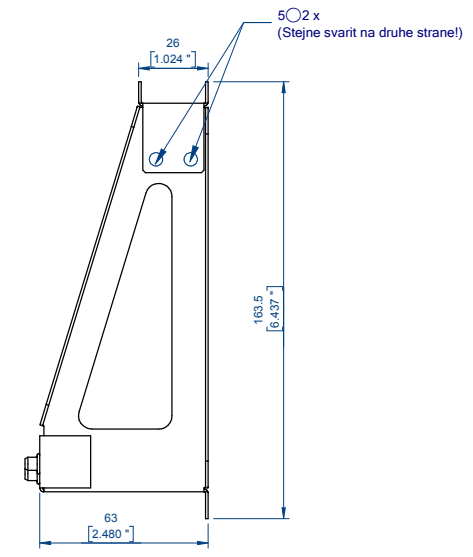
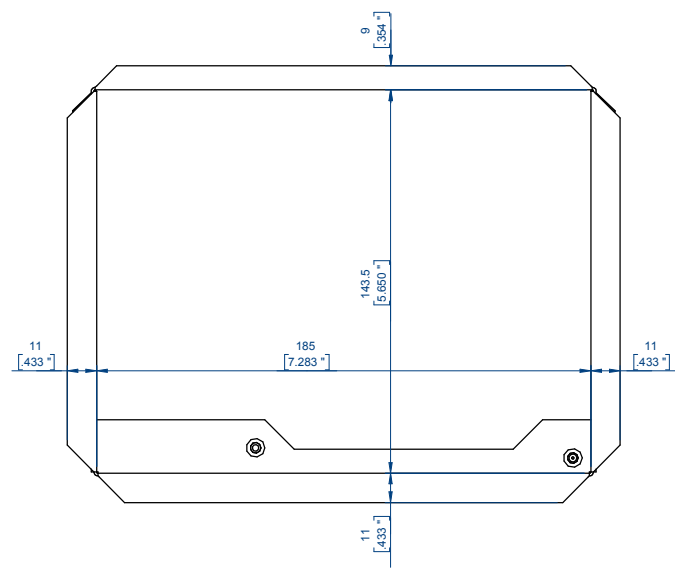


RevNo	Revision note	Date	Signature	Checked
-------	---------------	------	-----------	---------

A
B
C
D
E
F

A
B
C
D
E
F



Povrchova Uprava: Alodine / Passal Liquid

Itemref	Quantity	Title/Name, designation, material, dimension etc	Article No./Reference		
Drawn by Tomas MARCZI	Checked by P.Jerabek	Approved by - date	File name	Date 27th of October 2008	Scale 1:2
TL elektronik Inc.			6524 - Ramecek Remote Display - Sestava		
			TLX-6524-KA-010-PrA	Edition	Sheet A3